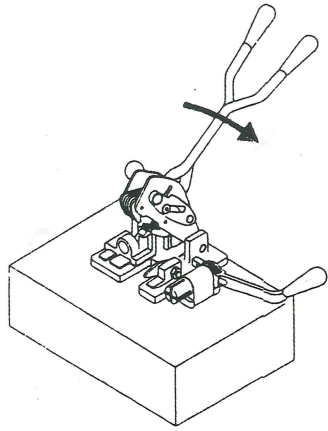
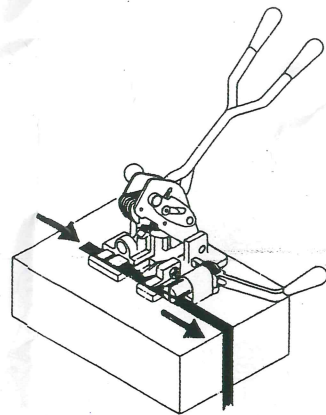


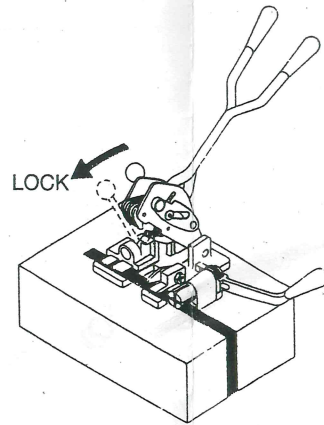
2 In 1 Strapping Tool



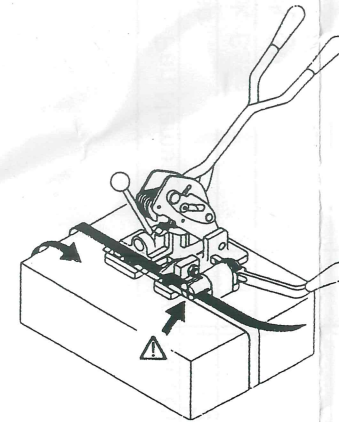
1 Position tool on carton with crimping handle raised back.



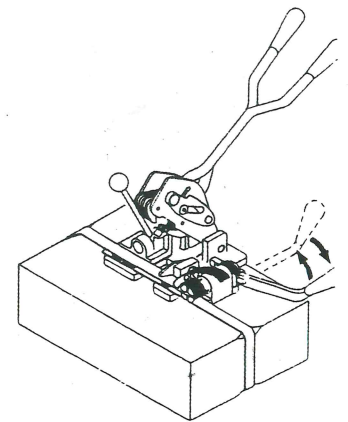
2 Place free end of strapping into tool as shown.



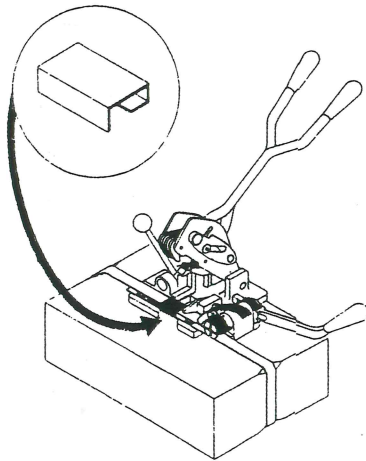
3 Lock strapping into place.



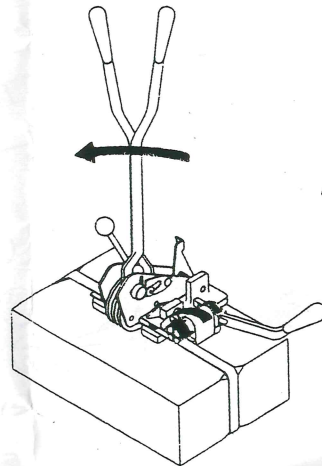
4 Wrap strap around carton and feed through cutter & windlass slot.



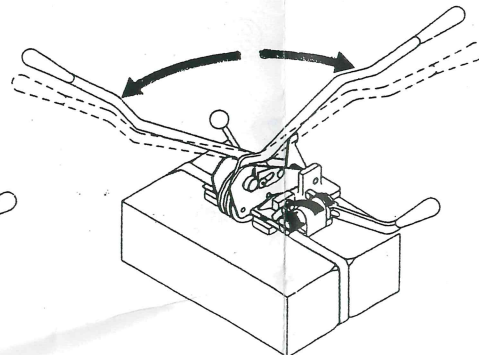
5 Tension strap by swing lever up and down.



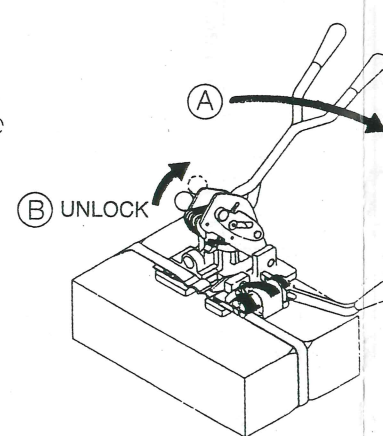
6 Place clip over both straps.



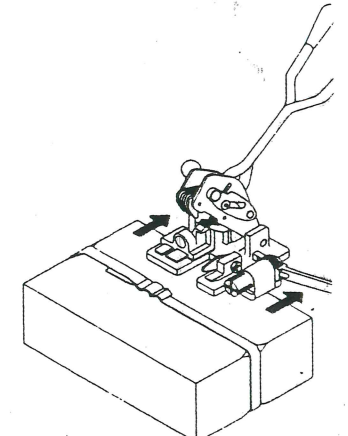
7 Raise crimping handle into position.



8 Crimping clip by separating handles and pushing down. Strapping will be cut at fully extended, lower position.



9 A) Bring handle back together and swing back.
B) Unlock strap holder.



10 Remove tool.